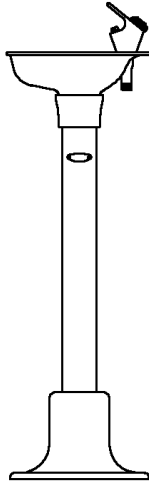


Halsey Taylor Owners Manual

4616 (30")/4617 (36") PEDESTAL FOUNTAIN



INSTALLATION

1. Provide a solid, well-drained surface to mount fountain.
 2. Locate and install plumbing through ground as shown in rough-in.
 3. Locate three mounting holes as shown on rough-in. (Mounting bolts not furnished). 5/16" (8mm) diameter holes provided in base. Connect drain and mount fountain to mounting surface.
 4. Install shut-off valve on water supply. (Shut-off valve not furnished).
- CAUTION: This fountain is rated for inlet water pressure of 20-90 PSI. Should the inlet water supply exceed 90 PSI, a pressure reducing regulator should be used.
5. Connect fountain to water supply line by running a water line between the shut-off valve and fountain.
 6. Turn 'ON' water supply and check all connections for leaks.
 7. Adjust bubbler stream height. (See Instructions below).

TROUBLE SHOOTING & MAINTENANCE

PROJECTOR: If mineral deposits build up in the orifice, they can be removed by using a round file or small diameter wire.

CAUTION: Care must be taken not to damage orifice assembly.

STREAM REGULATOR: Stream height is factory set at 45-50 PSI. If supply pressure varies greatly from this, remove the retaining nut and button (See Fig. 2) from bubbler assembly and adjust the screw on the regulator. Clockwise adjustment will raise stream height and counterclockwise will lower the stream height. A stream height of 1" (25mm) is recommended (See Fig. 1).

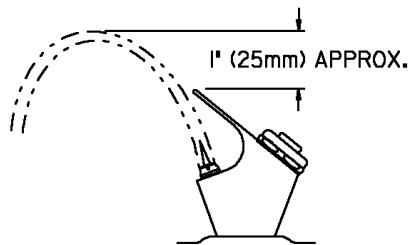
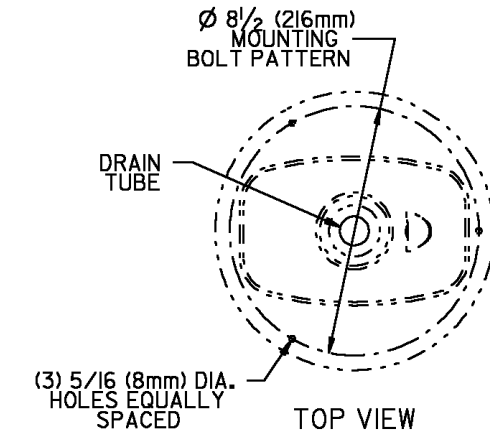
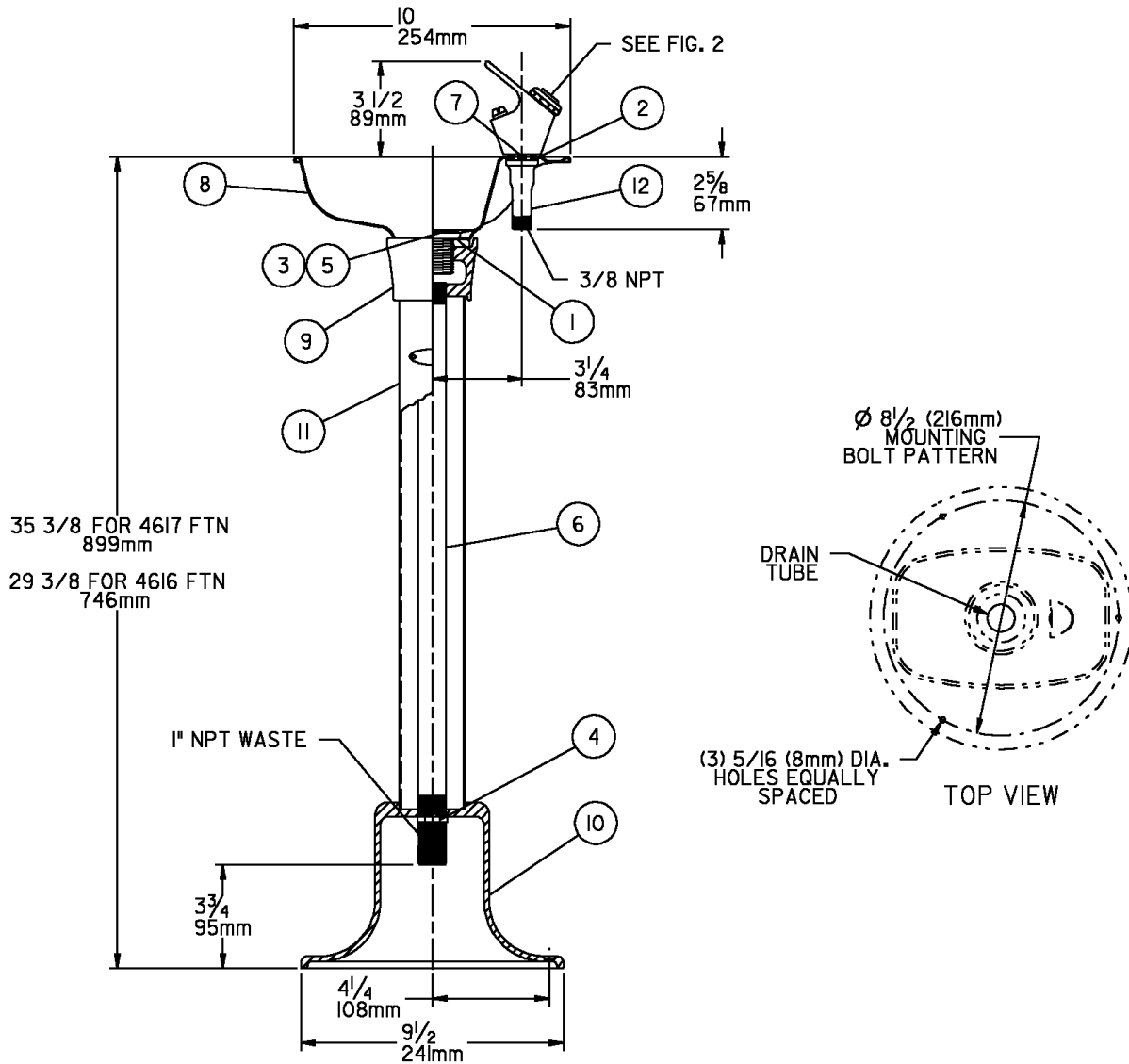


FIG. 1

MOUNTING SPECIFICATIONS



ITEMIZED PARTS LIST

1	100147140560	GASKET
2	100322740560	GASKET-BLACK
3	102639931640	DRAIN PLUG CP
4	10016243730	NUT-HEX LOCK I-II 1/2
5	160270508640	STRAINER PLT.-BRIGHT
6	160023743730	WASTE-PIPE 1" OD X 27' (4617 FTN)
6	160351243730	WASTE-PIPE 1" OD X 21' (4616 FTN)
7	160609216550	NIPPLE-PROJECTOR
8	170705042830	RECEPTOR
9	400302813750	TOP-PEDESTAL
10	400305913750	BASE-PEDESTAL
11	400022243750	TUBE-PEDESTAL 2 3/8" OD X 24 1/2" (4617 FTN)
11	400351143750	TUBE-PEDESTAL 2 3/8" OD X 18 1/2" (4616 FTN)
12	45657C	FITTING-PROJECTOR MTG.
13	A54874	ORIFICE ASSY
14	10031C	RETAINING NUT
15	40048C	BUTTON
16	40089C	NUT-COVER
17	45659C	BUBBLER BODY
18	60291C	SCREEN-SS
19	61313C	REGULATOR
20	70021C	SCREW-SET #8-32 X 1/4

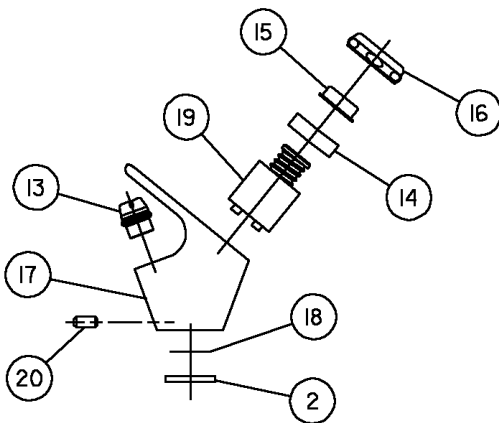


FIG. 2

Halsey Taylor

2222 CAMDEN COURT
OAK BROOK, IL 60521
630.574.3500
PRINTED IN U.S.A.

97004C

FOR PARTS, CONTACT YOUR LOCAL DISTRIBUTOR OR CALL 1.800.323.0620